

Monolithic Op Amp—The Universal Linear Component

Introduction

Operational amplifiers are undoubtedly the easiest and best way of performing a wide range of linear functions from simple amplification to complex analog computation. The cost of monolithic amplifiers is now less than \$2.00, in large quantities, which makes it attractive to design them into circuits where they would not otherwise be considered. Yet low cost is not the only attraction of monolithic amplifiers. Since all components are simultaneously fabricated on one chip, much higher circuit complexities than can be used with discrete amplifiers are economical. This can be used to give improved performance. Further, there are no insurmountable technical difficulties to temperature stabilizing the amplifier chip, giving chopper-stabilized performance with little added cost.

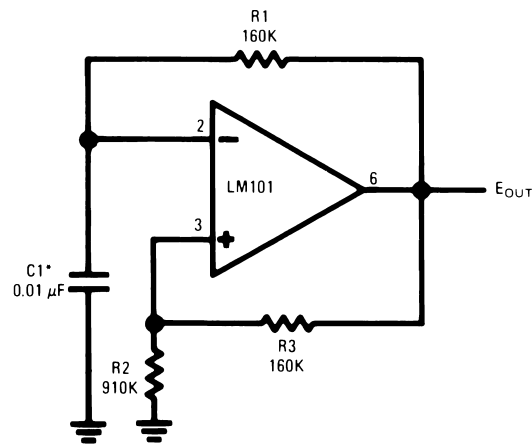
Operational amplifiers are designed for high gain, low offset voltage and low input current. As a result, dc biasing is considerably simplified in most applications; and they can be used with fairly simple design rules because many potential error terms can be neglected. This article will give examples demonstrating the range of usefulness of operational amplifiers in linear circuit design. The examples are certainly not all-inclusive, and it is hoped that they will stimulate even more ideas from others. A few practical hints on preventing oscillations in operational amplifiers will also be given since this is probably the largest single problem that many engineers have with these devices.

Although the designs presented use the LM101 operational amplifier and the LM102 voltage follower produced by National Semiconductor, most are generally applicable to all monolithic devices if the manufacturer's recommended frequency compensation is used and differences in maximum ratings are taken into account. A complete description of the LM101 is given elsewhere;¹ but, briefly, it differs from most other monolithic amplifiers, such as the LM709,² in that it has a $\pm 30\text{V}$ differential input voltage range, a $+15\text{V}$, -12V common mode range with $\pm 15\text{V}$ supplies and it can be compensated with a single 30 pF capacitor. The LM102,³ which is also used here, is designed specifically as a voltage follower and features a maximum input current of 10 nA and a $10\text{ V}/\mu\text{s}$ slew rate.

Operational-Amplifier Oscillator

The free-running multivibrator shown in *Figure 1* is an excellent example of an application where one does not normally consider using an operational amplifier. However, this circuit operates at low frequencies with relatively small capacitors because it can use a longer portion of the capacitor time constant since the threshold point of the operational amplifier is well determined. In addition, it has a completely-symmetrical output waveform along with a buffered output, although the symmetry can be varied by returning R_2 to some voltage other than ground.

National Semiconductor
Application Note 4
Robert J. Widlar
April 1968



00735701

*Chosen for oscillation at 100 Hz.

FIGURE 1. Free-Running Multivibrator

Another advantage of the circuit is that it will always self start and cannot hang up since there is more dc negative feedback than positive feedback. This can be a problem with many "textbook" multivibrators.

Since the operational amplifier is used open loop, the usual frequency compensation components are not required since they will only slow it down. But even without the 30 pF capacitor, the LM101 does have speed limitations which restrict the use of this circuit to frequencies below about 2 kHz .

The large input voltage range of the LM101 (both differential and single ended) permits large voltage swings on the input so that several time constants of the timing capacitor, C_1 , can be used. With most other amplifiers, R_2 must be reduced to keep from exceeding these ratings, which requires that C_1 be increased. Nonetheless, even when large values are needed for C_1 , smaller polarized capacitors may be used by returning them to the positive supply voltage instead of ground.

Level Shifting Amplifier

Frequently, in the design of linear equipment, it is necessary to take a voltage which is referred to some dc level and produce an amplified output which is referred to ground. The most straight-forward way of doing this is to use a differential amplifier similar to that shown in *Figure 2a*. This circuit, however, has the disadvantages that the signal source is loaded by current from the input divider, R_3 and R_4 , and that the feedback resistors must be very well matched to prevent erroneous outputs from the common mode input signal.

Level Shifting Amplifier (Continued)

A circuit which does not have these problems is shown in *Figure 2b*. Here, an FET transistor on the output of the operational amplifier produces a voltage drop across the feedback resistor, R1, which is equal to the input voltage. The voltage across R2 will then be equal to the input voltage multiplied by the ratio, R2/R1; and the common mode rejection will be as good as the basic rejection of the amplifier, independent of the resistor tolerances. This voltage is buffered by an LM102 voltage follower to give a low impedance output.

An advantage of the LM101 in this circuit is that it will work with input voltages up to its positive supply voltages as long as the supplies are less than $\pm 15\text{V}$.

Voltage Comparators

The LM101 is well suited to comparator applications for two reasons: first, it has a large differential input voltage range and, second, the output is easily clamped to make it compatible with various driver and logic circuits. It is true that it doesn't have the speed of the LM710⁴ (10 μs versus 40 ns, under equivalent conditions); however, in many linear applications speed is not a problem and the lower input currents along with higher voltage capability of the LM101 is a tremendous benefit.

Two comparator circuits using the LM101 are shown in *Figure 3*. The one in *Figure 3a* shows a clamping scheme which makes the output signal directly compatible with DTL

or TTL integrated circuits. An LM103 breakdown diode clamps the output at 0V or 4V in the low or high states, respectively. This particular diode was chosen because it has a sharp breakdown and low equivalent capacitance. When working as a comparator, the amplifier operates open loop so normally no frequency compensation is needed. Nonetheless, the stray capacitance between Pins 5 and 6 of the amplifier should be minimized to prevent low level oscillations when the comparator is in the active region. If this becomes a problem a 3 pF capacitor on the normal compensation terminals will eliminate it.

Figure 3b shows the connection of the LM101 as a comparator and lamp driver. Q1 switches the lamp, with R2 limiting the current surge resulting from turning on a cold lamp. R1 determines the base drive to Q1 while D1 keeps the amplifier from putting excessive reverse bias on the emitter-base junction of Q1 when it turns off.

More Output Current Swing

Because almost all monolithic amplifiers use class-B output stages, they have good loaded output voltage swings, delivering $\pm 10\text{V}$ at 5 mA with $\pm 15\text{V}$ supplies. Demanding much more current from the integrated circuit would require, for one, that the output transistors be made considerably larger. In addition, the increased dissipation could give rise to troublesome thermal gradients on the chip as well as excessive package heating in high-temperature applications. It is therefore advisable to use an external buffer when large output currents are needed.

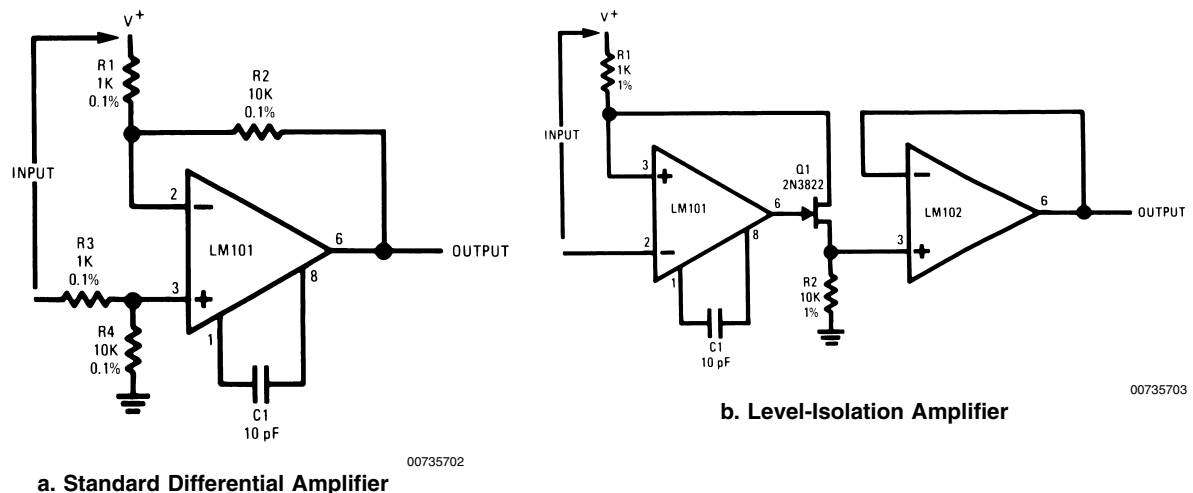
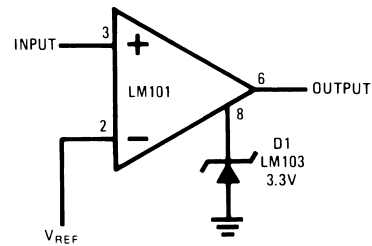


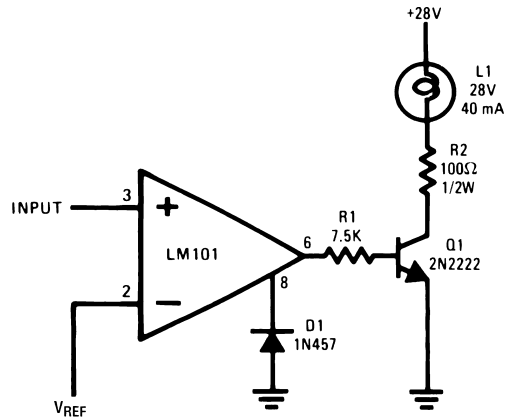
FIGURE 2. Level-Shifting Amplifiers

More Output Current Swing (Continued)



a. Comparator for driving DTL and TTL integrated circuits

00735704



b. Comparator and Lamp Driver

00735705

FIGURE 3. Voltage Comparator Circuits

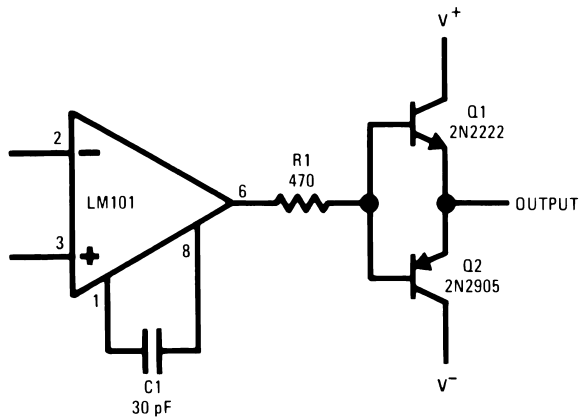


FIGURE 4. High Current Output Buffer

00735706

A simple way of accomplishing this is shown in *Figure 4*. A pair of complementary transistors are used on the output of the LM101 to get the increased current swing. Although this circuit does have a dead zone, it can be neglected at frequencies below 100 Hz because of the high gain of the amplifier. R1 is included to eliminate parasitic oscillations from the output transistors. In addition, adequate bypassing should be used on the collectors of the output transistors to insure that the output signal is not coupled back into the amplifier. This circuit does not have current limiting, but it can be added by putting 50Ω resistors in series with the collectors of Q1 and Q2.

A FET Amplifier

For ambient temperatures less than about 70°C, junction field effect transistors can give exceptionally low input currents when they are used on the input stage of an operational amplifier. However, monolithic FET amplifiers are not

now available since it is no simple matter to diffuse high quality FET's on the same chip as the amplifier. Nonetheless, it is possible to make a good FET amplifier using a discrete FET pair in conjunction with a monolithic circuit.

Such a circuit is illustrated in *Figure 5*. A matched FET pair, connected as source followers, is put in front of an integrated operational amplifier. The composite circuit has roughly the same gain as the integrated circuit by itself and is compensated for unity gain with a 30 pF capacitor as shown. Although it works well as a summing amplifier, the circuit leaves something to be desired in applications requiring high common mode rejection. This happens both because resistors are used for current sources and because the FET's by themselves do not have good common mode rejection.

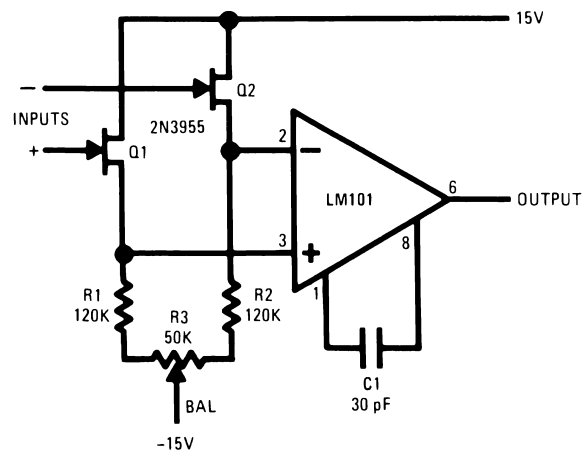


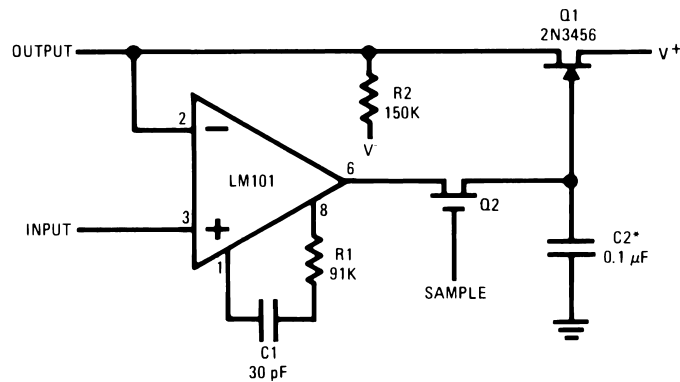
FIGURE 5. FET Operational Amplifier

00735707

Storage Circuits

A sample-and-hold circuit which combines the low input current of FET's with the low offset voltage of monolithic amplifiers is shown in *Figure 6*. The circuit is a unity gain amplifier employing an operational amplifier and an FET source follower. In operation, when the sample switch, Q2, is

turned on, it closes the feedback loop to make the output equal to the input, differing only by the offset voltage of the LM101. When the switch is opened, the charge stored on C2 holds the output at a level equal to the last value of the input voltage.



00735708

*Polycarbonate-dielectric capacitor

FIGURE 6. Low Drift Sample and Hold

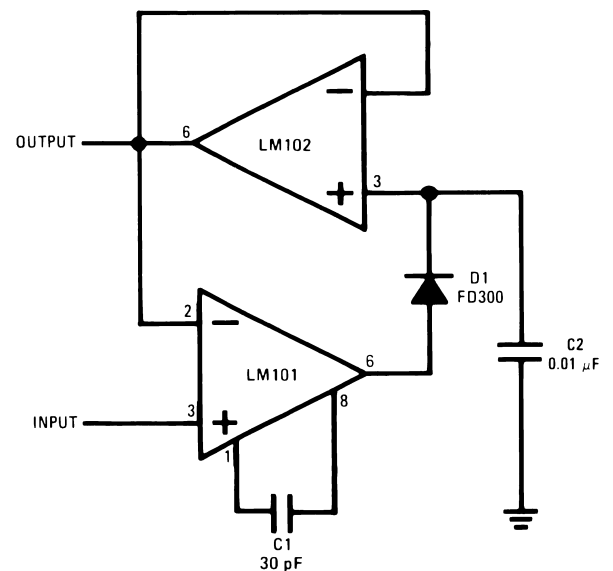
Some care must be taken in the selection of the holding capacitor. Certain types, including paper and mylar, exhibit a polarization phenomenon which causes the sampled voltage to drop off by about 50 mV, and then stabilize, when the capacitor is exercised over a 5V range during the sample interval. This drop off has a time constant in the order of seconds. The effect, however, can be minimized by using capacitors with teflon, polyethylene, glass or polycarbonate dielectrics.

Although this circuit does not have a particularly low output resistance, fixed loads do not upset the accuracy since the loading is automatically compensated for during the sample interval. However, if the load is expected to change after sampling, a buffer such as the LM102 must be added between the FET and the output.

A second pole is introduced into the loop response of the amplifier by the switch resistance and the holding capacitor, C2. This can cause problems with overshoot or oscillation if it is not compensated for by adding a resistor, R1, in series with the LM101 compensation capacitor such that the break-point of the R1C1 combination is roughly equal to that of the switch and the holding capacitor.

It is possible to use an MOS transistor for Q1 without worrying about the threshold stability. The threshold voltage is balanced out during every sample interval so only the short-term threshold stability is important. When MOS transistors are used along with mechanical switches, drift rates less than 10 mV/min can be realized.

Additional features of the circuit are that the amplifier acts as a buffer so that the circuit does not load the input signal.



00735709

FIGURE 7. Positive Peak Detector with Buffered Output

Further, gain can also be provided by feeding back to the inverting input of the LM101 through a resistive divider instead of directly.

Storage Circuits (Continued)

The peak detector in *Figure 7* is similar in many respects to the sample-and-hold circuit. A diode is used in place of the sampling switch. Connected as shown, it will conduct whenever the input is greater than the output, so the output will be equal to the peak value of the input voltage. In this case, an LM102 is used as a buffer for the storage capacitor, giving low drift along with a low output resistance.

As with the sample and hold, the differential input voltage range of the LM101 permits differences between the input and output voltages when the circuit is holding.

Non-Linear Amplifiers

When a non-linear transfer function is needed from an operational amplifier, many methods of obtaining it present themselves. However, they usually require diodes and are therefore difficult to temperature compensate for accurate breakpoints. One way of getting around this is to make the output swing so large that the diode threshold is negligible by comparison, but this is not always practical.

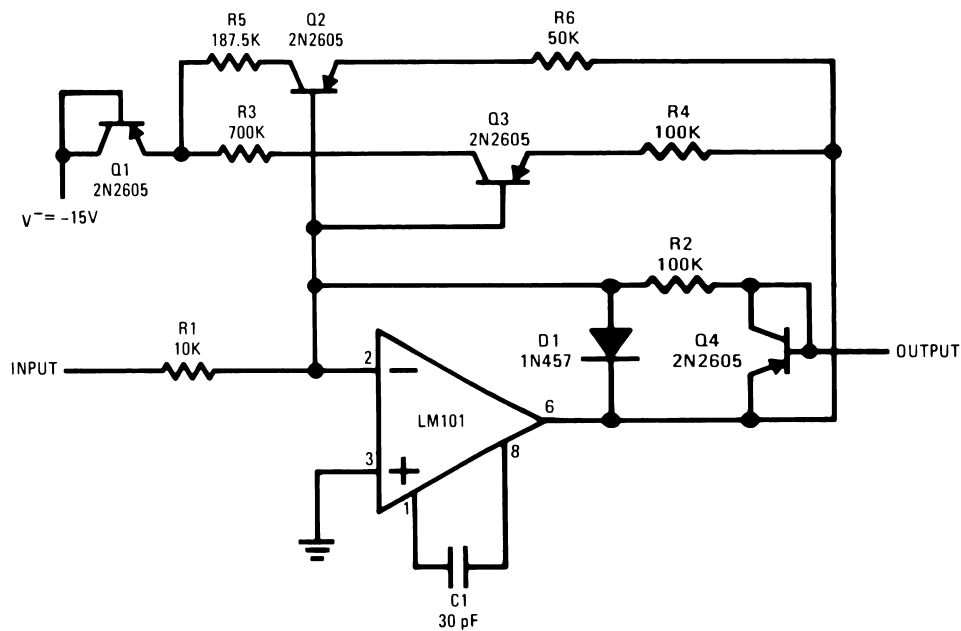
A method of producing very sharp, temperature-stable breakpoints in the transfer function of an operational amplifier is shown in *Figure 8*. For small input signals, the gain is determined by R1 and R2. Both Q2 and Q3 are conducting

to some degree, but they do not affect the gain because their current gain is high and they do not feed any appreciable current back into the summing mode. When the output voltage rises to 2V (determined by R3, R4 and V^-), Q3 draws enough current to saturate, connecting R4 in parallel with R2. This cuts the gain in half. Similarly, when the output voltage rises to 4V, Q2 will saturate, again halving the gain.

Temperature compensation is achieved in this circuit by including Q1 and Q4. Q4 compensates the emitter-base voltage of Q2 and Q3 to keep the voltage across the feedback resistors, R4 and R6, very nearly equal to the output voltage while Q1 compensates for the emitter base voltage of these transistors as they go into saturation, making the voltage across R3 and R5 equal to the negative supply voltage. A detrimental effect of Q4 is that it causes the output resistance of the amplifier to increase at high output levels. It may therefore be necessary to use an output buffer if the circuit must drive an appreciable load.

Servo Preamplifier

In certain servo systems, it is desirable to get the rate signal required for loop stability from some sort of electrical, lead network. This can, for example, be accomplished with reactive elements in the feedback network of the servo preamplifier.



00735710

FIGURE 8. Nonlinear Operational Amplifier with temperature-compensated breakpoints

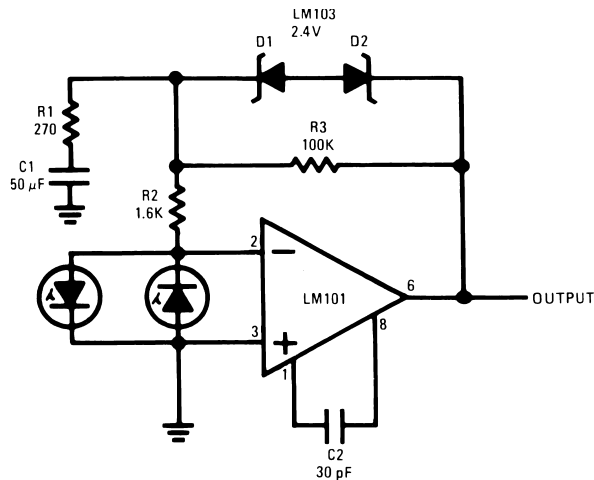
Many saturating servo amplifiers operate over an extremely wide dynamic range. For example, the maximum error signal could easily be 1000 times the signal required to saturate the system. Cases like this create problems with electrical rate networks because they cannot be placed in any part of the system which saturates. If the signal into the rate network saturates, a rate signal will only be developed over a narrow range of system operation; and instability will result when the error becomes large. Attempts to place the rate networks in

front of the error amplifier or make the error amplifier linear over the entire range of error signals frequently gives rise to excessive dc error from signal attenuation.

These problems can be largely overcome using the kind of circuit shown in *Figure 9*. This amplifier operates in the linear mode until the output voltage reaches approximately 3V with 30 μ A output current from the solar cell sensors. At this point the breakdown diodes in the feedback loop begin to conduct,

Servo Preampifier (Continued)

drastically reducing the gain. However, a rate signal will still be developed because current is being fed back into the rate network (R1, R2 and C1) just as it would if the amplifier had remained in the linear operating region. In fact, the amplifier will not actually saturate until the error current reaches 6 mA, which would be the same as having a linear amplifier with a $\pm 600V$ output swing.



00735711

FIGURE 9. Saturating Servo Preampifier with Rate Feedback

Computing Circuits

In analog computation it is a relatively simple matter to perform such operations as addition, subtraction, integration and differentiation by incorporating the proper resistors and

capacitors in the feedback circuit of an amplifier. Many of these circuits are described in reference 5. Multiplication and division, however, are a bit more difficult. These operations are usually performed by taking the logarithms of the quantities, adding or subtracting as required and then taking the antilog.

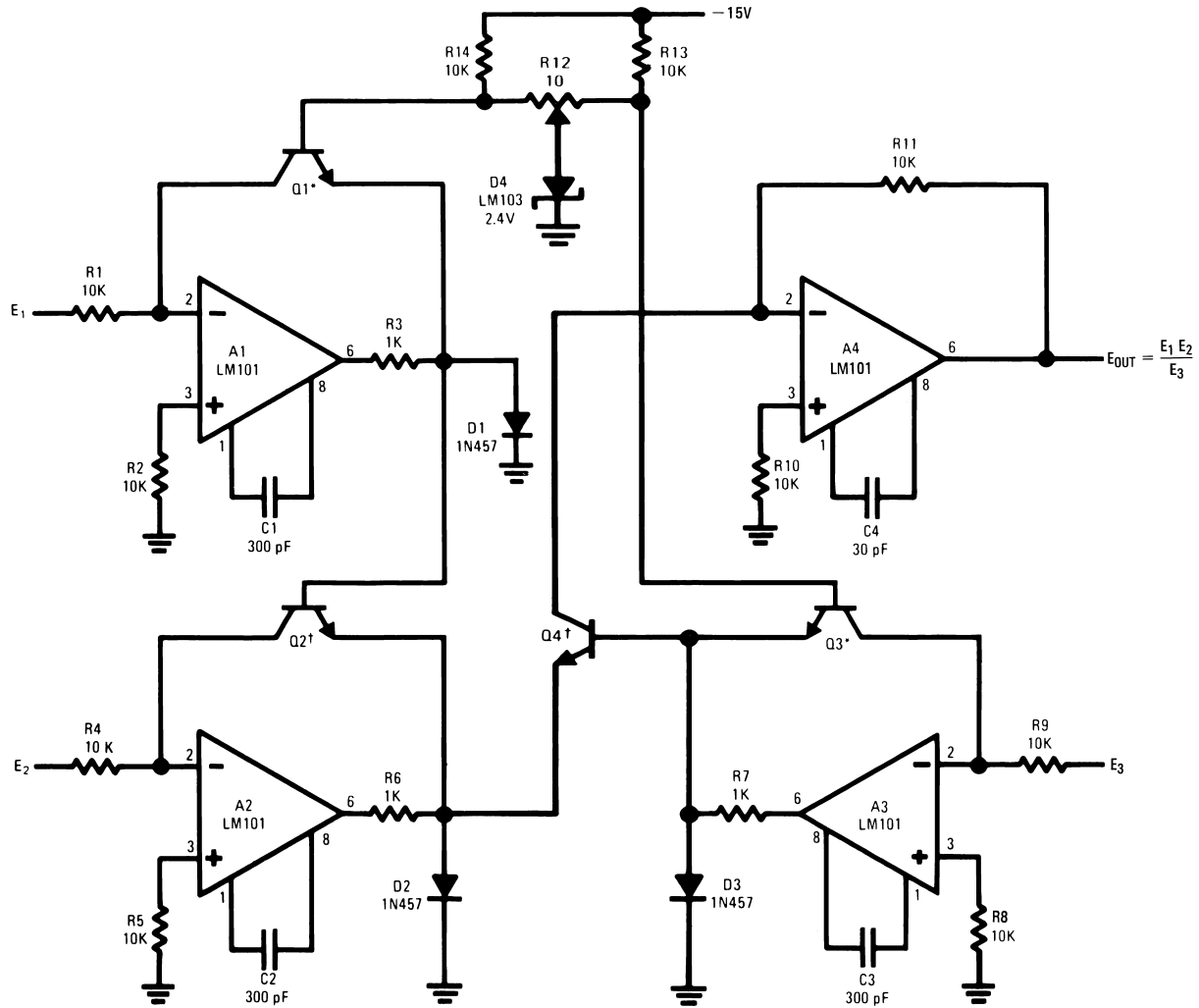
At first glance, it might appear that obtaining the log of a voltage is difficult; but it has been shown⁶ that the emitter-base voltage of a silicon transistor follows the log of its collector current over as many as nine decades. This means that common transistors can be used to perform the log and antilog operations.

A circuit which performs both multiplication and division in this fashion is shown in *Figure 10*. It gives an output which is proportional to the product of two inputs divided by a third, and it is about the same complexity as a divider alone.

The circuit consists of three log converters and an antilog generator. Log converters similar to these have been described elsewhere,⁷ but a brief description follows. Taking amplifier A1, a logging transistor, Q1, is inserted in the feedback loop such that its collector current is equal to the input voltage divided by the input resistor, R1. Hence, the emitter-base voltage of Q1 will vary as the log of the input voltage E1.

A2 is a similar amplifier operating with logging transistor, Q2. The emitter-base junctions of Q1 and Q2 are connected in series, adding the log voltages. The third log converter produces the log of E3. This is series-connected with the antilog transistor, Q4; and the combination is hooked in parallel with the output of the other two log converters. Therefore, the emitter-base of Q4 will see the log of E3 subtracted from the sum of the logs of E1 and E2. Since the collector current of a transistor varies as the exponent of the emitter-base voltage, the collector current of Q4 will be proportional to the product of E1 and E2 divided by E3. This current is fed to the summing amplifier, A4, giving the desired output.

Computing Circuits (Continued)



*†LM394

00735712

FIGURE 10. Analog Multiplier/Divider

Computing Circuits (Continued)

This circuit can give 1-percent accuracy for input voltages from 500 mV to 50V. To get this precision at lower input voltages, the offset of the amplifiers handling them must be individually balanced out. The zener diode, D4, increases the collector-base voltage across the logging transistors to improve high current operation. It is not needed, and is in fact undesirable, when these transistors are running at currents less than 0.3 mA. At currents above 0.3 mA, the lead resistances of the transistors can become important (0.25 Ω is 1-percent at 1 mA) so the transistors should be installed with short leads and no sockets.

An important feature of this circuit is that its operation is independent of temperature because the scale factor change in the log converter with temperature is compensated by an equal change in the scale factor of the antilog generator. It is only required that Q1, Q2, Q3 and Q4 be at the same temperature. Dual transistors should be used and arranged as shown in the figure so that thermal mismatches between cans appear as inaccuracies in scale factor (0.3-percent/ $^{\circ}$ C) rather than a balance error (8-percent/ $^{\circ}$ C). R12 is a balance potentiometer which nulls out the offset voltages of all the logging transistors. It is adjusted by setting all input voltages equal to 2V and adjusting for a 2V output voltage.

The logging transistors provide a gain which is dependent on their operating level, which complicates frequency compensation. Resistors (R3, R6 and R7) are put in the amplifier

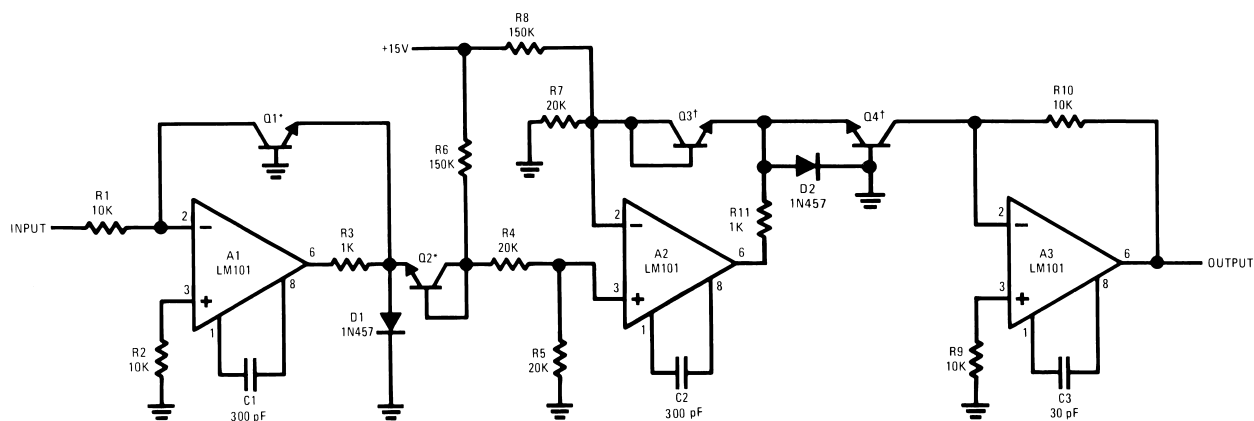
output to limit the maximum loop gain, and the compensation capacitor is chosen to correspond with this gain. As a result, the amplifiers are not especially designed for speed, but techniques for optimizing this parameter are given in reference 6.

Finally, clamp diodes D1 through D3, prevent exceeding the maximum reverse emitter-base voltage of the logging transistors with negative inputs.

Root Extractor*

Taking the root of a number using log converters is a fairly simple matter. All that is needed is to take the log of a voltage, divide it by, say $\frac{1}{2}$ for the square root, and then take the antilog. A circuit which accomplishes this is shown in Figure 11. A1 and Q1 form the log converter for the input signal. This feeds Q2 which produces a level shift to give zero voltage into the R4, R5 divider for a 1V input. This divider reduces the log voltage by the ratio for the root desired and drives the buffer amplifier, A2. A2 has a second level shifting diode, Q3, its feedback network which gives the output voltage needed to get a 1V output from the antilog generator, consisting of A3 and Q4, with a unity input. The offset voltages of the transistors are nulled out by imbalanceing R6 and R8 to give 1V output for 1V input, since any root of one is one.

Note: *The "extraction" used here doubtless has origin in the dental operation most of us would fear less than having to find even a square root without tables or other aids.

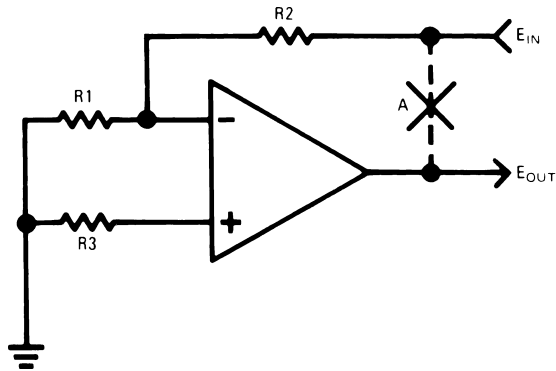


†LM394

00735713

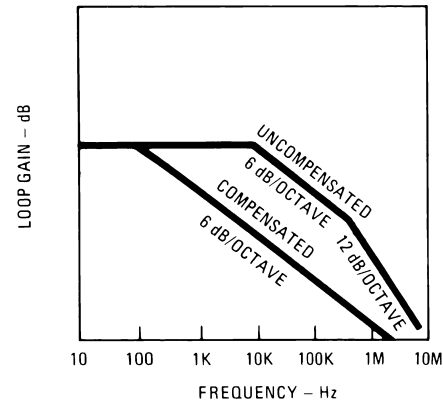
FIGURE 11. Root Extractor

Root Extractor* (Continued)



a. Measuring loop gain

00735714



b. Typical response

00735715

FIGURE 12. Illustrating Loop Gain

Q2 and Q3 are connected as diodes in order to simplify the circuitry. This doesn't introduce problems because both operate over a very limited current range, and it is really only required that they match. R7 is a gain-compensating resistor which keeps the currents in Q2 and Q3 equal with changes in signal level.

As with the multiplier/divider, the circuit is insensitive to temperature as long as all the transistors are at the same temperature. Using transistor pairs and matching them as shown minimizes the effects of gradients.

The circuit has 1-percent accuracy for input voltages between 0.5 and 50V. For lower input voltages, A1 and A3 must have their offsets balanced out individually.

Frequency Compensation Hints

The ease of designing with operational amplifiers sometimes obscures some of the rules which must be followed with any feedback amplifier to keep it from oscillating. In general, these problems stem from stray capacitance, excessive capacitive loading, inadequate supply bypassing or improper frequency compensation.

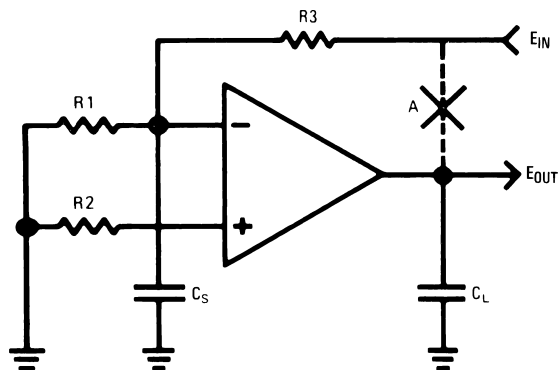
In frequency compensating an operational amplifier, it is best to follow the manufacturer's recommendations. However, if operating speed and frequency response is not a consideration, a greater stability margin can usually be obtained by increasing the size of the compensation capacitors. For example, replacing the 30 pF compensation capacitor on the LM101 with a 300 pF capacitor will make it ten times less susceptible to oscillation problems in the unity-gain connection. Similarly, on the LM709, using 0.05 μ F, 1.5 k Ω , 2000 pF and 51 Ω components instead of 5000 pF, 1.5 k Ω , 200 pF and 51 Ω will give 20 dB more stability margin. Capacitor values less than those specified by the manufacturer for a particular gain connection should not be used since they will make the amplifier more sensitive to strays and capacitive loading, or the circuit can even oscillate with worst-case units.

The basic requirement for frequency compensating a feedback amplifier is to keep the frequency roll-off of the loop gain from exceeding 12 dB/octave when it goes through unity gain. Figure 12a shows what is meant by loop gain.

The feedback loop is broken at the output, and the input sources are replaced by their equivalent impedance. Then the response is measured such that the feedback network is included.

Figure 12b gives typical responses for both uncompensated and compensated amplifiers. An uncompensated amplifier generally rolls off at 6 dB/octave, then 12 dB/octave and even 18 dB/octave as various frequency-limiting effects within the amplifier come into play. If a loop with this kind of response were closed, it would oscillate. Frequency compensation causes the gain to roll off at a uniform 6 dB/octave right down through unity gain. This allows some margin for excess rolloff in the external circuitry.

Some of the external influences which can affect the stability of an operational amplifier are shown in Figure 13. One is the load capacitance which can come from wiring, cables or an actual capacitor on the output. This capacitance works against the output impedance of the amplifier to attenuate high frequencies. If this added rolloff occurs before the loop gain goes through zero, it can cause instability. It should be remembered that this single rolloff point can give more than 6 dB/octave rolloff since the output impedance of the amplifier can be increasing with frequency.



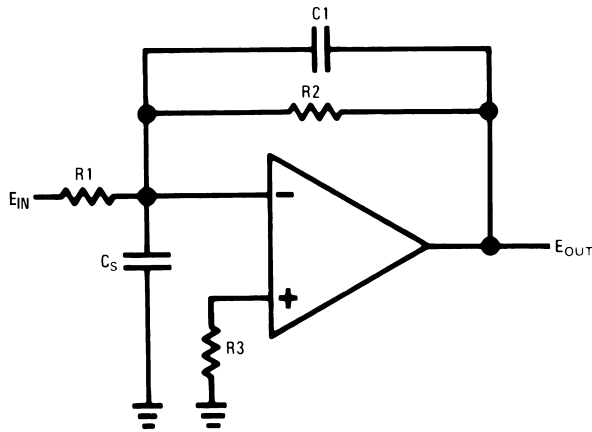
00735716

FIGURE 13. External Capacitances that Affect Stability

Frequency Compensation Hints

(Continued)

A second source of excess rolloff is stray capacitance on the inverting input. This becomes extremely important with large feedback resistors as might be used with an FET-input amplifier. A relatively simple method of compensating for this stray capacitance is shown in *Figure 14*: a lead capacitor, C1, put across the feedback resistor. Ideally, the ratio of the stray capacitance to the lead capacitor should be equal to the closed-loop gain of the amplifier. However, the lead capacitor can be made larger as long as the amplifier is compensated for unity gain. The only disadvantage of doing this is that it will reduce the bandwidth of the amplifier. Oscillations can also result if there is a large resistance on the non-inverting input of the amplifier. The differential input impedance of the amplifier falls off at high frequencies (especially with bipolar input transistors) so this resistor can produce troublesome rolloff if it is much greater than 10K, with most amplifiers. This is easily corrected by bypassing the resistor to ground.

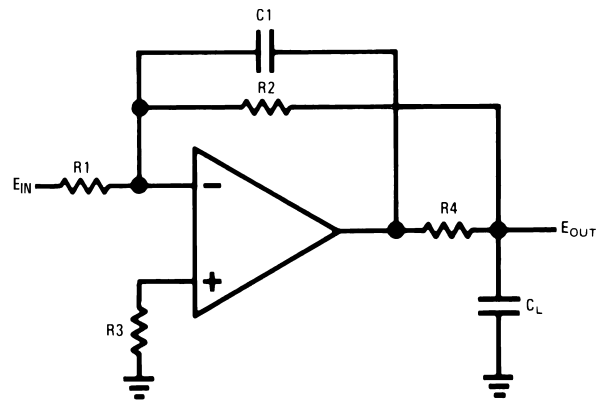


00735717

FIGURE 14. Compensating Stray Input Capacitance

When the capacitive load on an integrated amplifier is much greater than 100 pF, some consideration must be given to its effect on stability. Even though the amplifier does not oscillate readily, there may be a worst-case set of conditions under which it will. However, the amplifier can be stabilized for any value of capacitive loading using the circuit shown in *Figure 15*. The capacitive load is isolated from the output of the amplifier with R4 which has a value of 50Ω to 100Ω for both the LM101 and the LM709. At high frequencies, the feedback path is through the lead capacitor, C1, so that the lag produced by the load capacitance does not cause instability. To use this circuit, the amplifier must be compensated for unity gain, regardless of the closed loop dc gain. The

value of C1 is not too important, but at a minimum its capacitive reactance should be one-tenth the resistance of R2 at the unity-gain crossover frequency of the amplifier.



00735718

FIGURE 15. Compensating for Very Large Capacitive Loads

When an operational amplifier is operated open loop, it might appear at first glance that it needs no frequency compensation. However, this is not always the case because the external compensation is sometimes required to stabilize internal feedback loops.

The LM101 will not oscillate when operated open loop, although there may be problems if the capacitance between the balance terminal on pin 5 and the output is not held to an absolute minimum. Feedback between these two points is regenerative if it is not balanced out with a larger feedback capacitance across the compensation terminals. Usually a 3 pF compensation capacitor will completely eliminate the problem. The LM709 will oscillate when operated open loop unless a 10 pF capacitor is connected across the input compensation terminals and a 3 pF capacitor is connected on the output compensation terminals.

Problems encountered with supply bypassing are insidious in that they will hardly ever show up in a Nyquist plot. This problem has not really been thoroughly investigated, probably because one sure cure is known: bypass the positive and negative supply terminals of each amplifier to ground with at least a 0.01 μF capacitor.

For example, a LM101 can take over 1 mH inductance in either supply lead without oscillation. This should not suggest that they should be run without bypass capacitors. It has been established that 100 LM101's on a single printed circuit board with common supply busses will oscillate if the supplies are not bypassed about every fifth device. This happens even though the inputs and outputs are completely isolated.

Frequency Compensation Hints

(Continued)

The LM709, on the other hand, will oscillate under many load conditions with as little as 18 inches of wire between the negative supply lead and a bypass capacitor. Therefore, it is almost essential to have a set of bypass capacitors for every device.

Operational amplifiers are specified for power supply rejection at frequencies less than the first break frequency of the open loop gain. At higher frequencies, the rejection can be reduced depending on how the amplifier is frequency compensated. For both the LM101 and LM709, the rejection of high frequency signals on the positive supply is excellent. However, the situation is different for the negative supplies. These two amplifiers have compensation capacitors from the output down to a signal point which is referred to the negative supply, causing the high frequency rejection for the negative supply to be much reduced. It is therefore important to have sufficient bypassing on the negative supply to remove transients if they can cause trouble appearing on the output. One fairly large (22 μ F) tantalum capacitor on the negative power lead for each printed-circuit card is usually enough to solve potential problems.

When high-current buffers are used in conjunction with operational amplifiers, supply bypassing and decoupling are even more important since they can feed a considerable amount of signal back into the supply lines. For reference, bypass capacitors of at least 0.1 μ F are required for a 50 mA buffer.

When emitter followers are used to drive long cables, additional precautions are required. An emitter follower by itself—which is not contained in a feedback loop—will frequently oscillate when connected to a long length of cable. When an emitter follower is connected to the output of an operational amplifier, it can produce oscillations that will persist no matter how the loop gain is compensated. An analysis of why this happens is not very enlightening, so suffice it to say that these oscillations can usually be eliminated by putting a ferrite bead⁹ between the emitter follower and the cable.

Considering the loop gain of an amplifier is a valuable tool in understanding the influence of various factors on the stability of feedback amplifiers. But it is not too helpful in determining if the amplifier is indeed stable. The reason is that most problems in a well-designed system are caused by secondary effects—which occur only under certain conditions of output voltage, load current, capacitive loading, temperature, etc. Making frequency-phase plots under all these conditions would require unreasonable amounts of time, so it is invariably not done.

A better check on stability is the small-signal transient response. It can be shown mathematically that the transient response of a network has a one-for-one correspondence with the frequency domain response.[†] The advantage of transient response tests is that they are displayed instantaneously on an oscilloscope, so it is reasonable to test a circuit under a wide range of conditions.

Exact methods of analysis using transient response will not be presented here. This is not because these methods are

difficult, although they are. Instead, it is because it is very easy to determine which conditions are unfavorable from the overshoot and ringing on the step response. The stability margin can be determined much more easily by how much greater the aggravating conditions can be made before the circuit oscillates than by analysis of the response under given conditions. A little practice with this technique can quickly yield much better results than classical methods even for the inexperienced engineer.

Summary

A number of circuits using operational amplifiers have been proposed to show their versatility in circuit design. These have ranged from low frequency oscillators through circuits for complex analog computation. Because of the low cost of monolithic amplifiers, it is almost foolish to design dc amplifiers without integrated circuits. Moreover, the price makes it practical to take advantage of operational-amplifier performance in a variety of circuits where they are not normally used.

Many of the potential oscillation problems that can be encountered in both discrete and integrated operational amplifiers were described, and some conservative solutions to these problems were presented. The areas discussed included stray capacitance, capacitive loading and supply bypassing. Finally, a simplified method of quickly testing the stability of amplifier circuits over a wide range of operating conditions was suggested.

Note: [†]The frequency-domain characteristics can be determined from the impulse response of a network and this is directly relatable to the step response through the convolution integral.

References

1. R. J. Widlar, "Monolithic Op Amp with Simplified Frequency Compensation", *EEE*, Vol. 15, No. 7, pp. 58-63, July, 1967.
2. R. J. Widlar, "A Unique Circuit Design for a High Performance Operational Amplifier Especially Suited to Monolithic Construction", *Proc. of NEC*, Vol. XXI, pp. 85-89, October, 1965.
3. R. J. Widlar, "A Fast Integrated Voltage Follower with Low Input Current", *National Semiconductor AN-5*, March, 1968.
4. R. J. Widlar, "The Operation and Use of a Fast Integrated Circuit Comparator", *Fairchild Semiconductor APP-116*, February, 1966.
5. "Handbook of Operational Amplifier Applications", Burr-Brown Research Corporation, Tucson, Arizona.
6. J. F. Gibbons and H. S. Horn, "A Circuit with Logarithmic Transfer Response over Nine Decades", *IEEE Trans. on Circuit Theory*, Vol. CT-11, pp. 378-384, September, 1964.
7. R. J. Widlar and J. N. Giles, "Avoid Over-Integration", *Electronic Design*, Vol. 14, No. 3, pp. 56-62, Feb. 1, 1966.
8. Leslie Solomon, "Ferrite Beads", *Electronics World*, pp. 42-43, October, 1966.

Notes

LIFE SUPPORT POLICY

NATIONAL'S PRODUCTS ARE NOT AUTHORIZED FOR USE AS CRITICAL COMPONENTS IN LIFE SUPPORT DEVICES OR SYSTEMS WITHOUT THE EXPRESS WRITTEN APPROVAL OF THE PRESIDENT AND GENERAL COUNSEL OF NATIONAL SEMICONDUCTOR CORPORATION. As used herein:

1. Life support devices or systems are devices or systems which, (a) are intended for surgical implant into the body, or (b) support or sustain life, and whose failure to perform when properly used in accordance with instructions for use provided in the labeling, can be reasonably expected to result in a significant injury to the user.
2. A critical component is any component of a life support device or system whose failure to perform can be reasonably expected to cause the failure of the life support device or system, or to affect its safety or effectiveness.



National Semiconductor Corporation
Americas
Email: support@nsc.com

www.national.com

National Semiconductor Europe

Fax: +49 (0) 180-530 85 86
Email: europe.support@nsc.com
Deutsch Tel: +49 (0) 69 9508 6208
English Tel: +44 (0) 870 24 0 2171
Français Tel: +33 (0) 1 41 91 8790

National Semiconductor Asia Pacific Customer Response Group

Tel: 65-2544466
Fax: 65-2504466
Email: ap.support@nsc.com

National Semiconductor Japan Ltd.

Tel: 81-3-5639-7560
Fax: 81-3-5639-7507